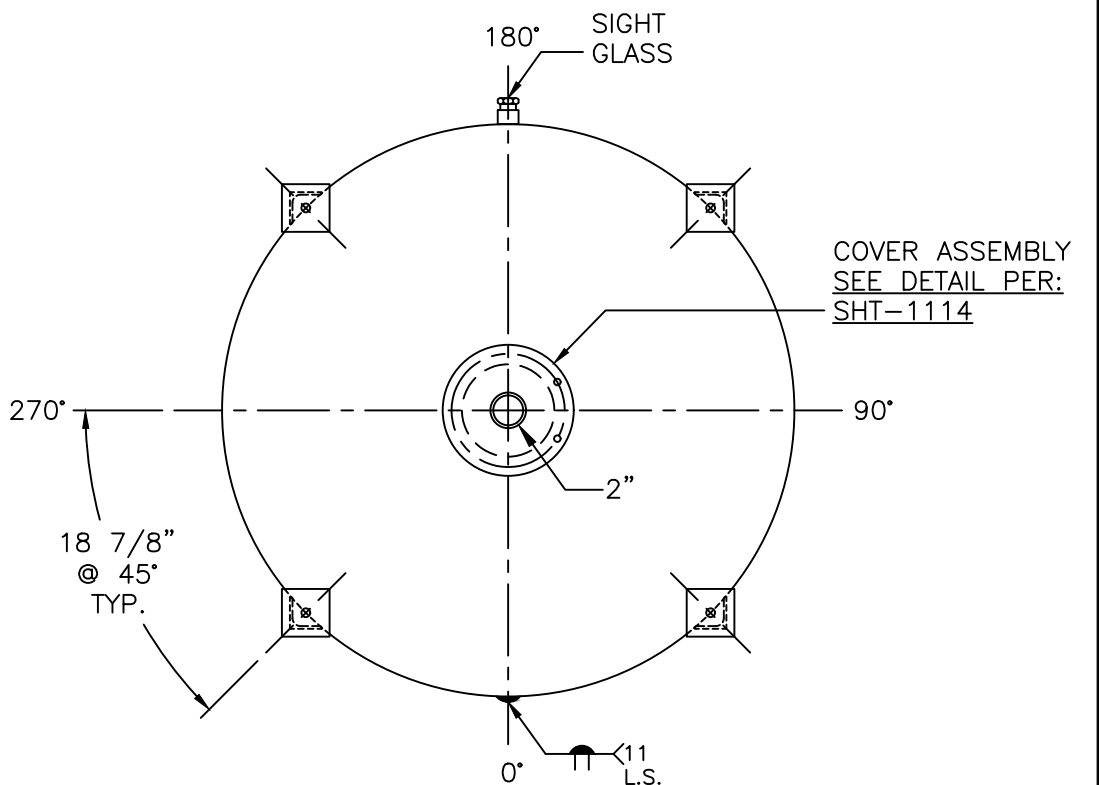
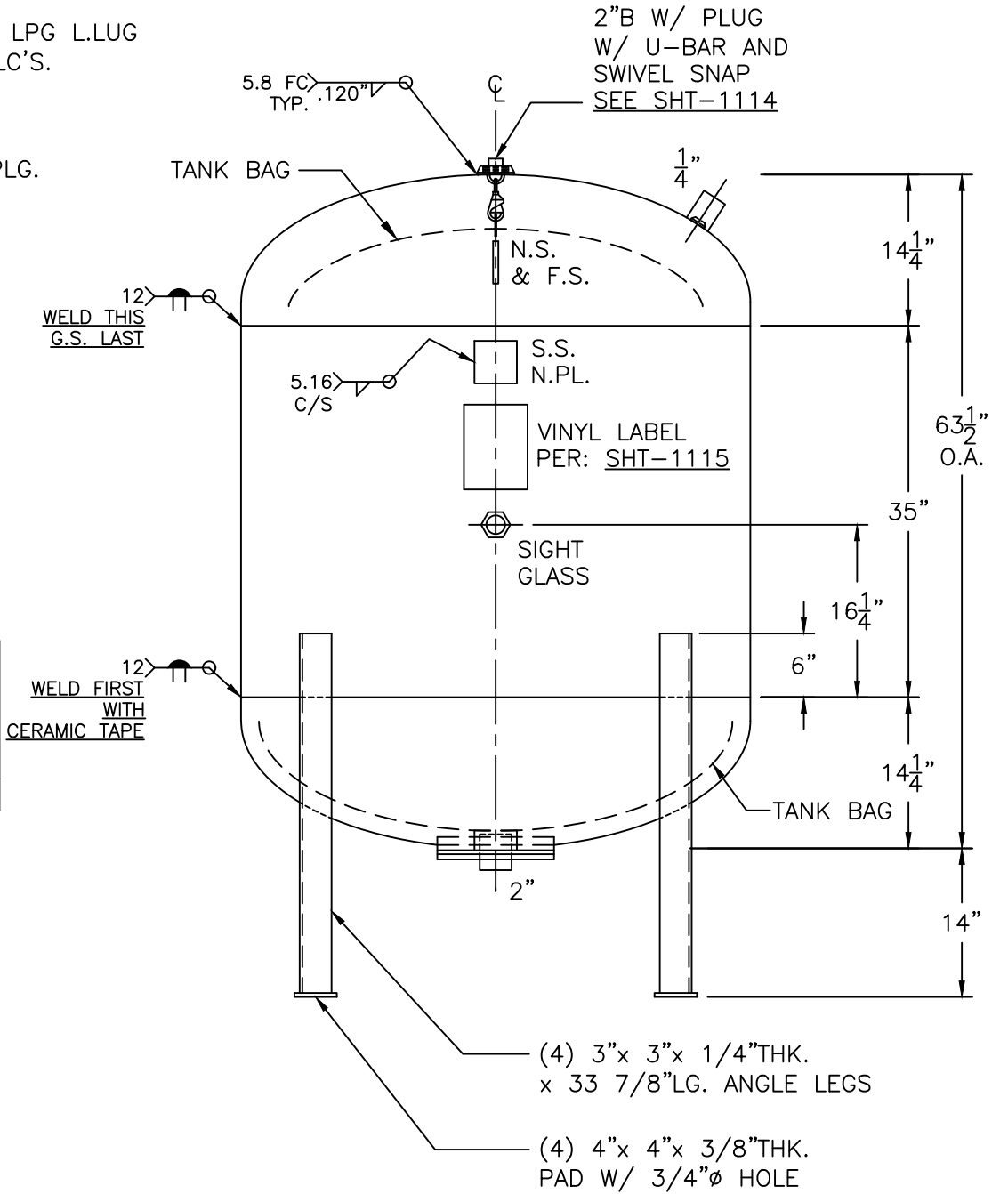


**COVER ASSEMBLY DTL.**



SHELL / HEADS	
M.A.W.P.	125 PSIG. @ 240 °F.
M.D.M.T.	32 °F @ 125 PSIG.
ASME SECTION VIII	DIV. 1, 2015
X-RAY:	RT-NO
GALLONS:	422 WT. 938 LBS.
SERIAL NO.	
N.B.	
NOTE: 1) HYDRO @ 165 PSIG. MIN.	
2) FOR NON CORROSIVE SERVICE-BLADDER TANK.	
TOP-JOGGLE	.250" SA-455 2:1 S.E.
BTM-TRIM	
.205" SA-455	
INSIDE:	UNPAINTED
OUTSIDE:	PRIMER
LEG-ZONE	4-15 KM.
BY: E.S.	SCALE: 3/4"=12"
ROY F. HANSON JR. MFG.	
LOS ANGELES, CA 90021	
REV.	1-4-16
DATE:	4-1-05
BB-422-L	
HANSON STANDARD	
VERT. BLADDER TANK	
SURFACE AREA = 76.1 SQ. FT.	