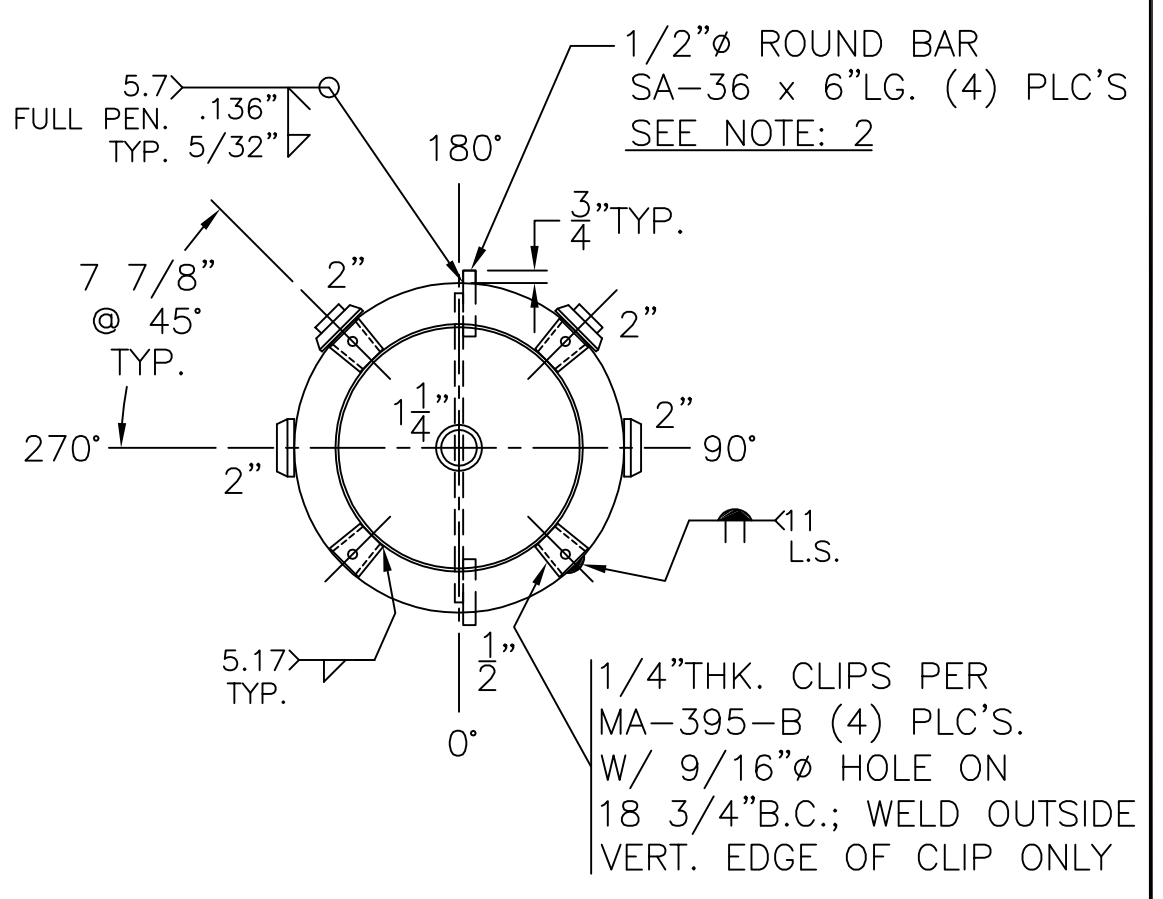
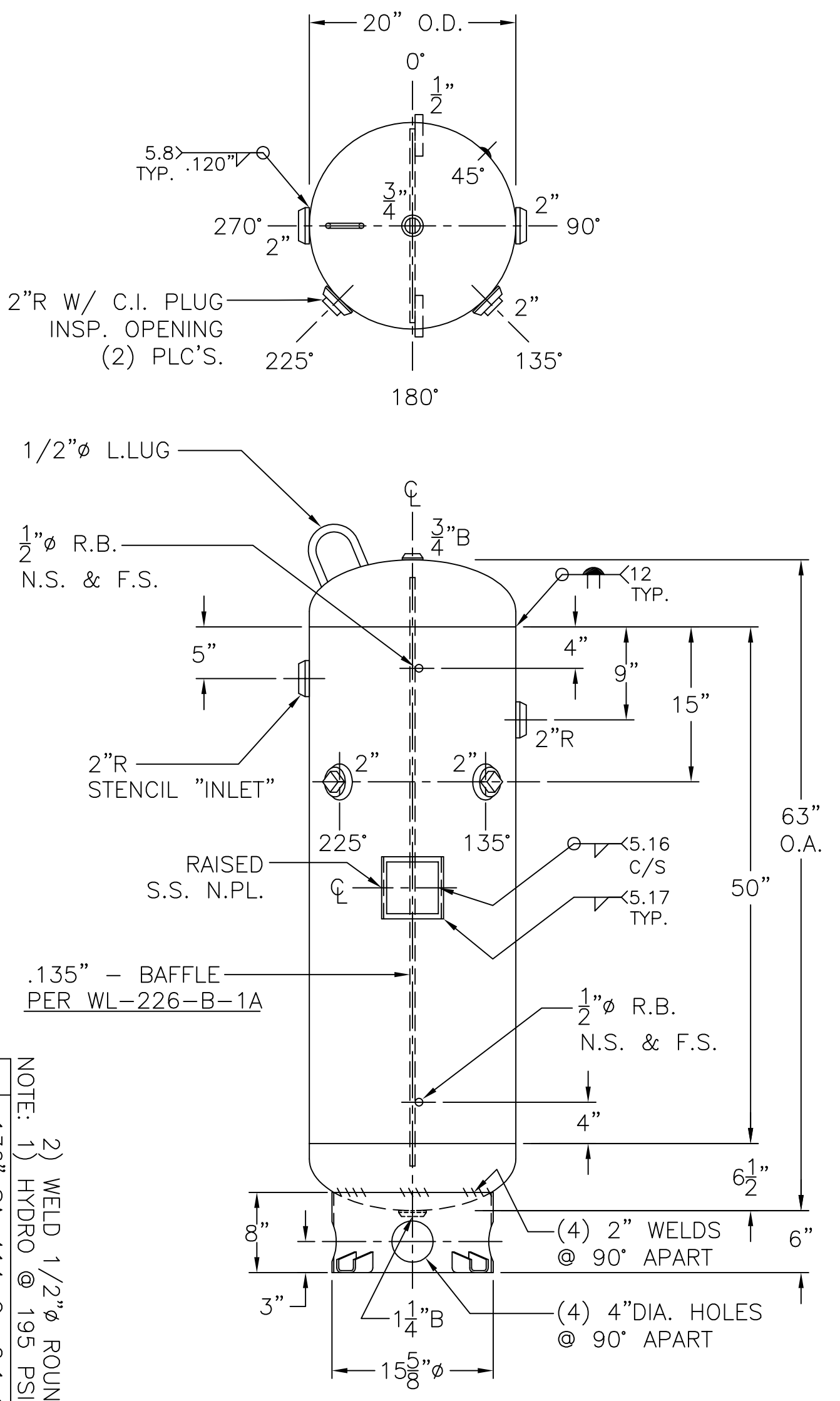


DATE	BY
8-22-13	JG
11-18-14	JG



NOTE: 1) HYDRO @ 195 PSIG. MIN.  
 2) WELD 1/2" Ø ROUND BARS TO SHELL AFTER HEADS ARE IN PLACE.

SHELL / HEADS	
.136" SA-414-G	2:1 S.E.
JOGGLE - 149 OFFSET	
.136" SA-414-G	
M.A.W.P.	150 PSIG. @ 200 °F
M.D.M.T.	-20 °F @ 150 PSIG.
ASME SECTION VIII DIV. 1, 2013	
X-RAY:	RT-NO
GALLONS:	80
WT.	201 LBS.
SERIAL NO.	
N.B.	
<b>WL-226-B</b>	
FOR:	HANSON STANDARD
VERT. CHILLED WATER TANK	
SURFACE AREA = 29.2 SQ. FT.	
INSIDE: UNPAINTED	
OUTSIDE: SHOP PRIME	
BY: E.S.	SCALE: 1"=12"
<b>ROY E. HANSON JR. MFG.</b>	
1600 E. WASHINGTON BLVD.	
LOS ANGELES, CA 90011	
REV. 11-18-14	DATE: 8-23-05