

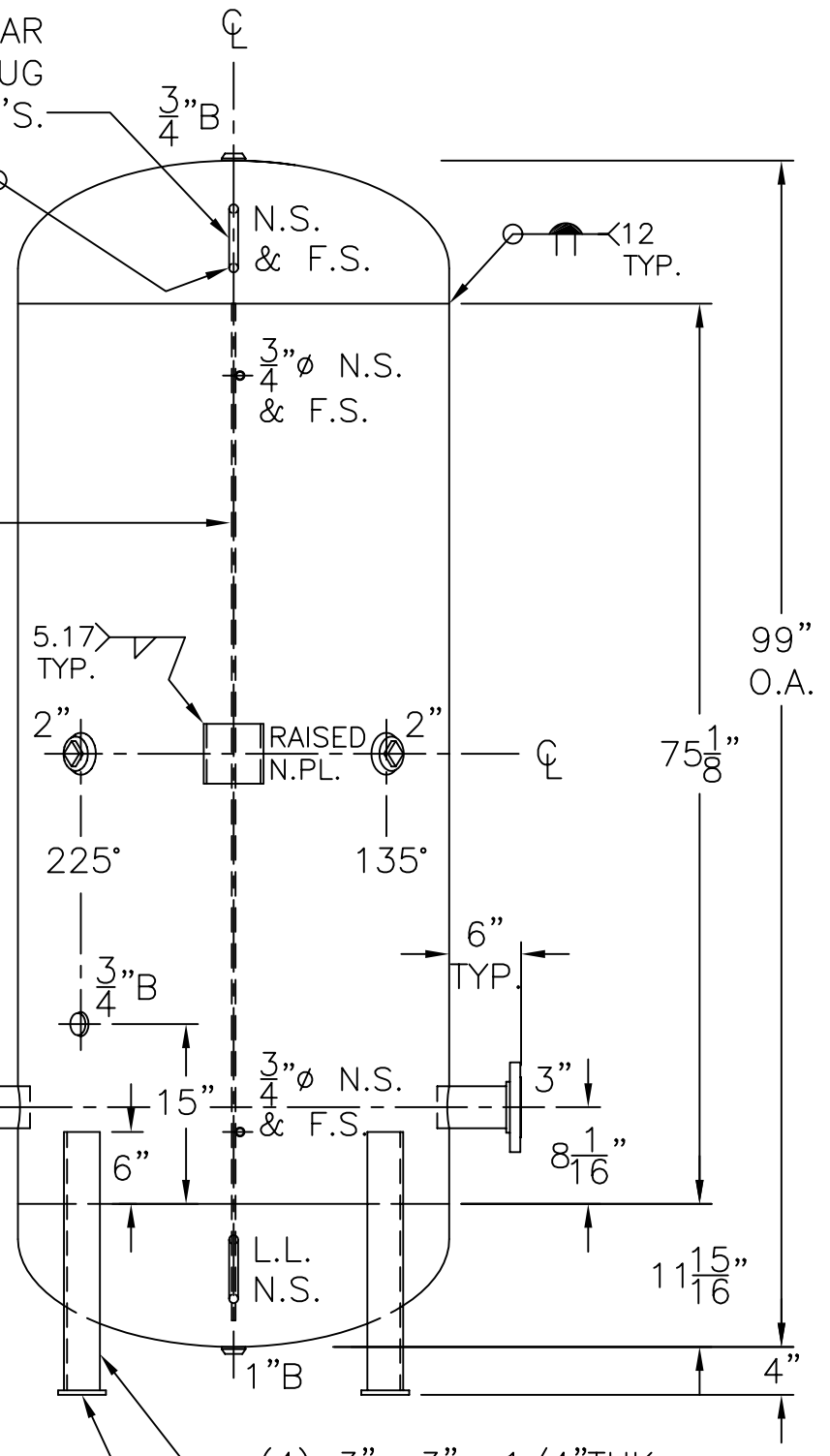
2" B W/ C.I. PLUG
INSP. OPENINGS
(2) PLC'S.

.135" THK. - BAFFLE
PER: WM-590-B-1A

3/4" Ø SOLAR
LIFT LUG
(3) PLC'S.

5.18 FC
TYP.

.120" V
5.8 FC
TYP.



99" O.A.

75 1/8"

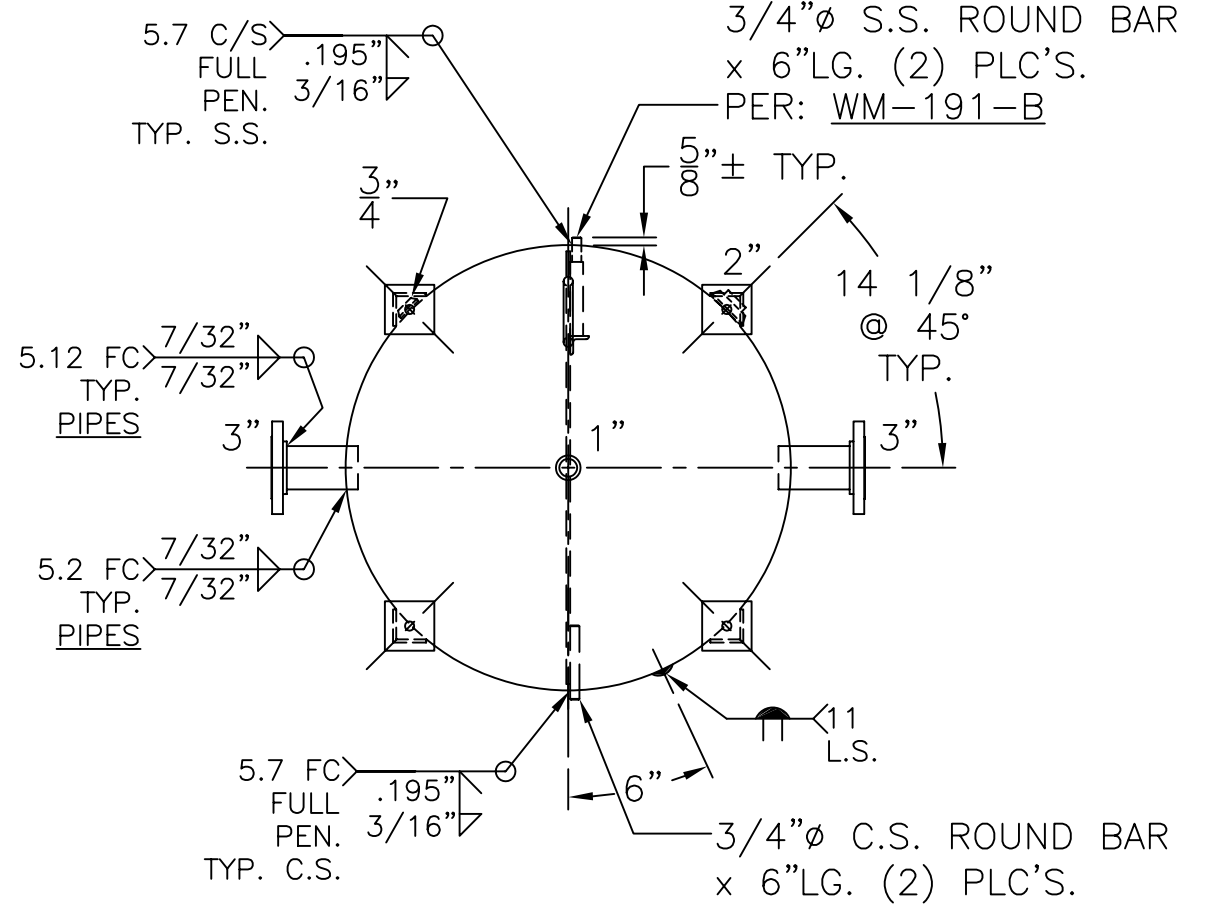
11 15/16"

3" - 150# R.F.S.O.
FLG. W/ SCH. 40
SA-106-B
PIPE x 7" LG.

(4) 3" x 3" x 1/4" THK.
x 21 9/16" LG. ANGLE LEGS
(4) 4" x 4" x 3/8" THK.
PAD W/ 7/8" Ø HOLE
FOR 5/8" Ø x 8" LG. BOLTS
GRADE 5 OR BETTER
6" EMBEDMENT

5.7 C/S
FULL PEN.
TYP. S.S.

3/4" Ø S.S. ROUND BAR
x 6" LG. (2) PLC'S.
PER: WM-191-B



NOTE: 1) 2) WELD 3/4" Ø ROUND BARS TO SHELL AFTER HEADS ARE IN PLACE.
HYDRO @ 163 PSIG. MIN.

SHELL / HEADS		.211" SA-455 2:1 S.E.
JOGGLE - .228" OFFSET		
.195" SA-455		
M.A.W.P.	125 PSIG. @ 180 °F	
M.D.M.T.	0 °F @ 125 PSIG.	
ASME SECTION VIII DIV. 1, 2007 ADD. 2008		
X-RAY:	RT-NO	
GALLONS:	400	WT. 946 LBS.
SERIAL NO.		
N.B.		
WM-590-B		REV. 7-17-09
FOR: VERT. HOT WATER BUFFER TANK		DATE: 2-3-09
SURFACE AREA = 83.1 SQ. FT.		
INSIDE: UNPAINTED		
OUTSIDE: PRIME		
LEG-ZONE 4-5 KM.		
BY: E.S. / FRED		SCALE: 3/4"=12"
ROY E. HANSON JR. MFG.		
1600 E. WASHINGTON BLVD.		
LOS ANGELES, CA 90021		