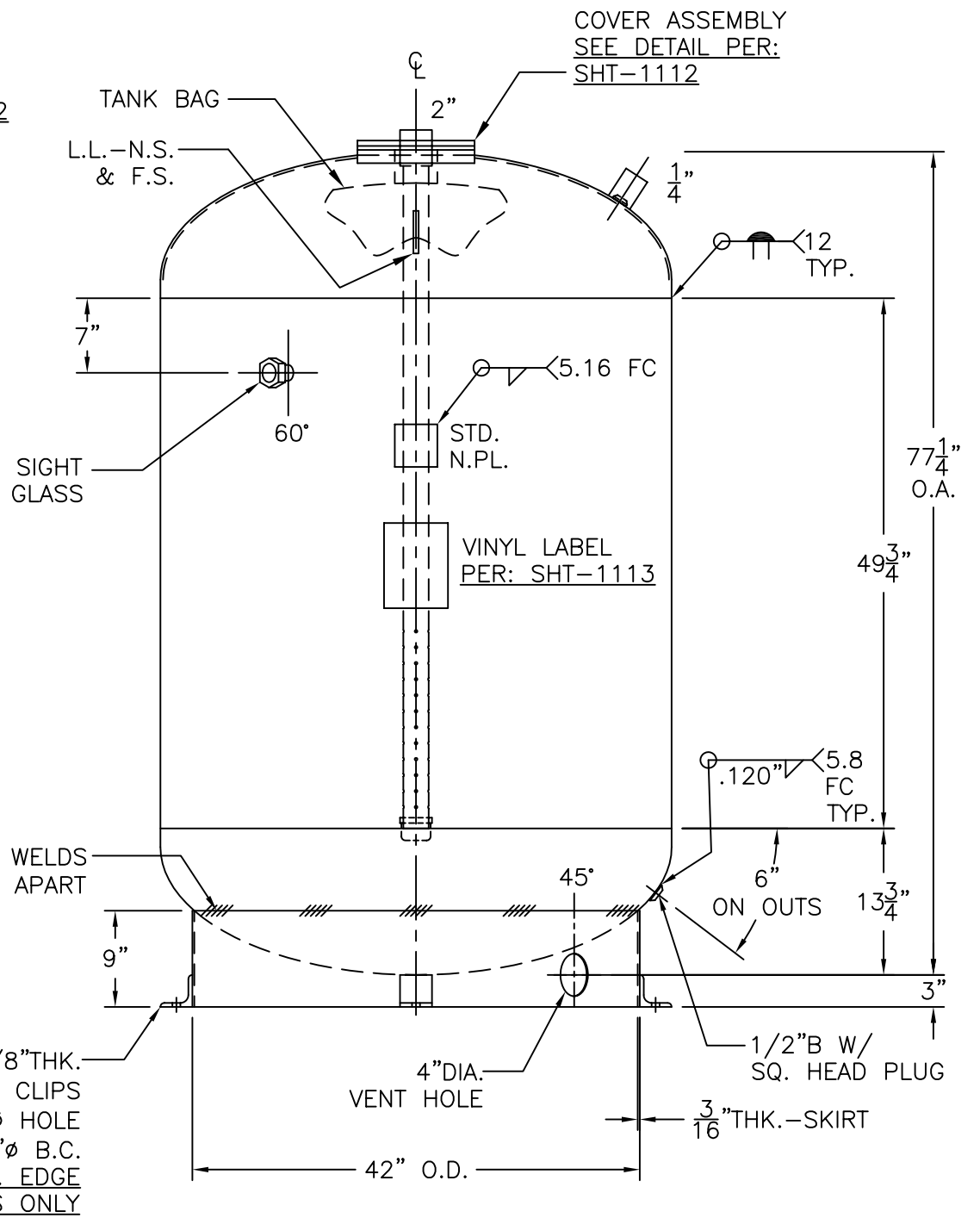


**COVER ASSEMBLY DTL.**



NOTE: 1) HYDRO @ 165 PSIG. MIN.  
2) FOR NON CORROSIVE SERVICE-BLADDER TANK.

| SHELL / HEADS                            |                 |
|--|-----------------|
| 200" SA-455                              | 2:1 S.E.        |
| JOGGLE                                   |                 |
| M.A.W.P. 125                             | PSIG. @ 240 °F  |
| M.D.M.T. 32                              | °F @ 125 PSIG.  |
| ASME SECTION VIII DIV. 1, 2007 ADD. 2007 |                 |
| X-RAY: RT-4                              | SPOT L.S. ONLY  |
| GALLONS: 528                             | WT. 921 LBS.    |
| SERIAL NO.                               |                 |
| N.B.                                     |                 |
| <b>TB-528-R</b>                          |                 |
| HANSON STANDARD                          | REV. 11-18-08   |
| VERT. BLADDER TANK                       | DATE: 4-1-05    |
| INSIDE: UNPAINTED                        |                 |
| OUTSIDE: PRIMER                          |                 |
| BY: E.S.                                 | SCALE: 3/4"=12" |
| <b>ROY E. HANSON JR. MFG.</b>            |                 |
| 1600 E. WASHINGTON BLVD.                 |                 |
| LOS ANGELES, CA 90021                    |                 |