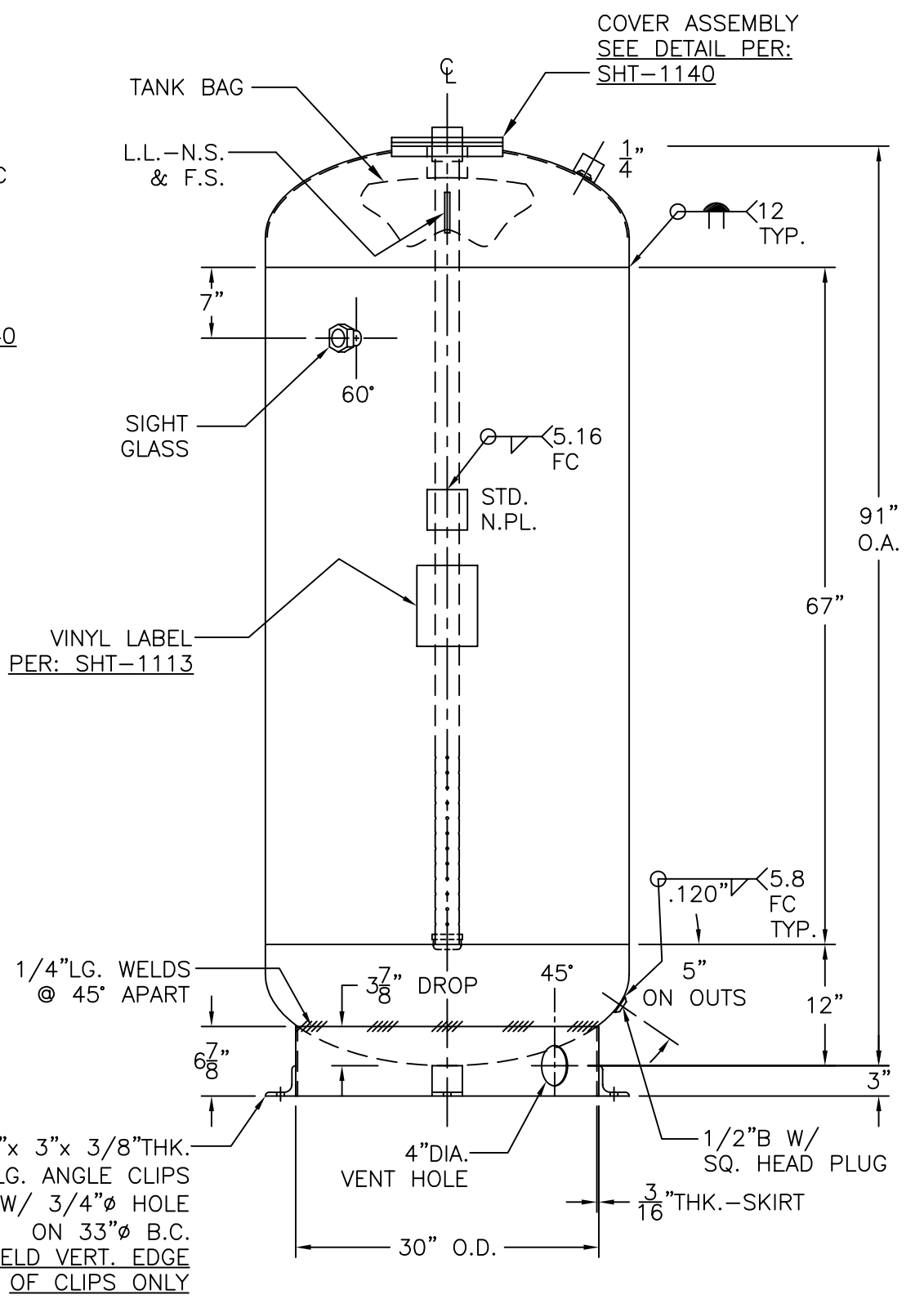


COVER ASSEMBLY DTL.



SHELL / HEADS	
.182" SA-455	2:1 S.E.
JOGGLE	
M.A.W.P. 125 PSIG. @ 240 °F	
M.D.M.T. 32 °F @ 125 PSIG.	
ASME SECTION VIII DIV. 1, 2004 ADD. 2004	
X-RAY: RT-NO	
GALLONS: 370	WT. 704 LBS.
SERIAL NO.	
N.B.	

NOTE: 1) HYDRO @ 165 PSIG. MIN.
2) INSPECTION OPENING, UG 46(f)(6).

TB-370-R	
REV. DATE: 4-1-05	
HANSON STANDARD	
VERT. BLADDER TANK	
INSIDE: UNPAINTED	
OUTSIDE: PRIMER	
BY: E.S.	SCALE: 3/4"=12"
ROY E. HANSON JR. MFG.	
1924 COMPTON AVE.	
LOS ANGELES, CA 90011	