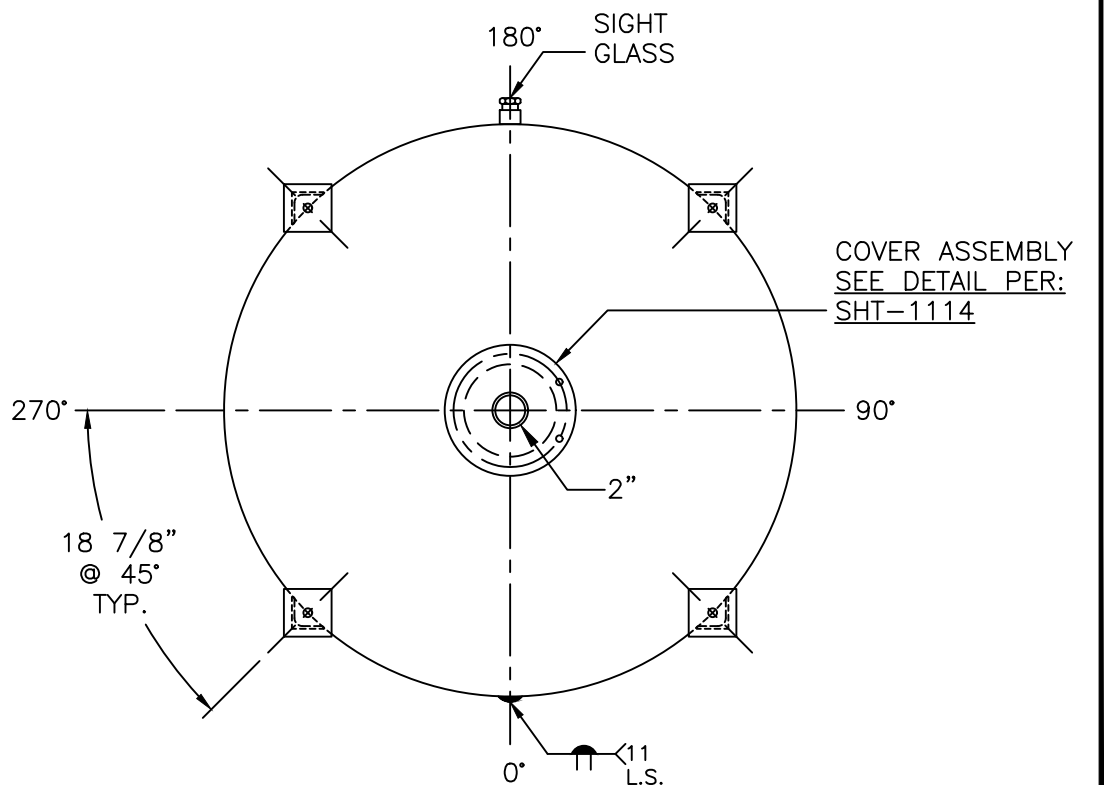
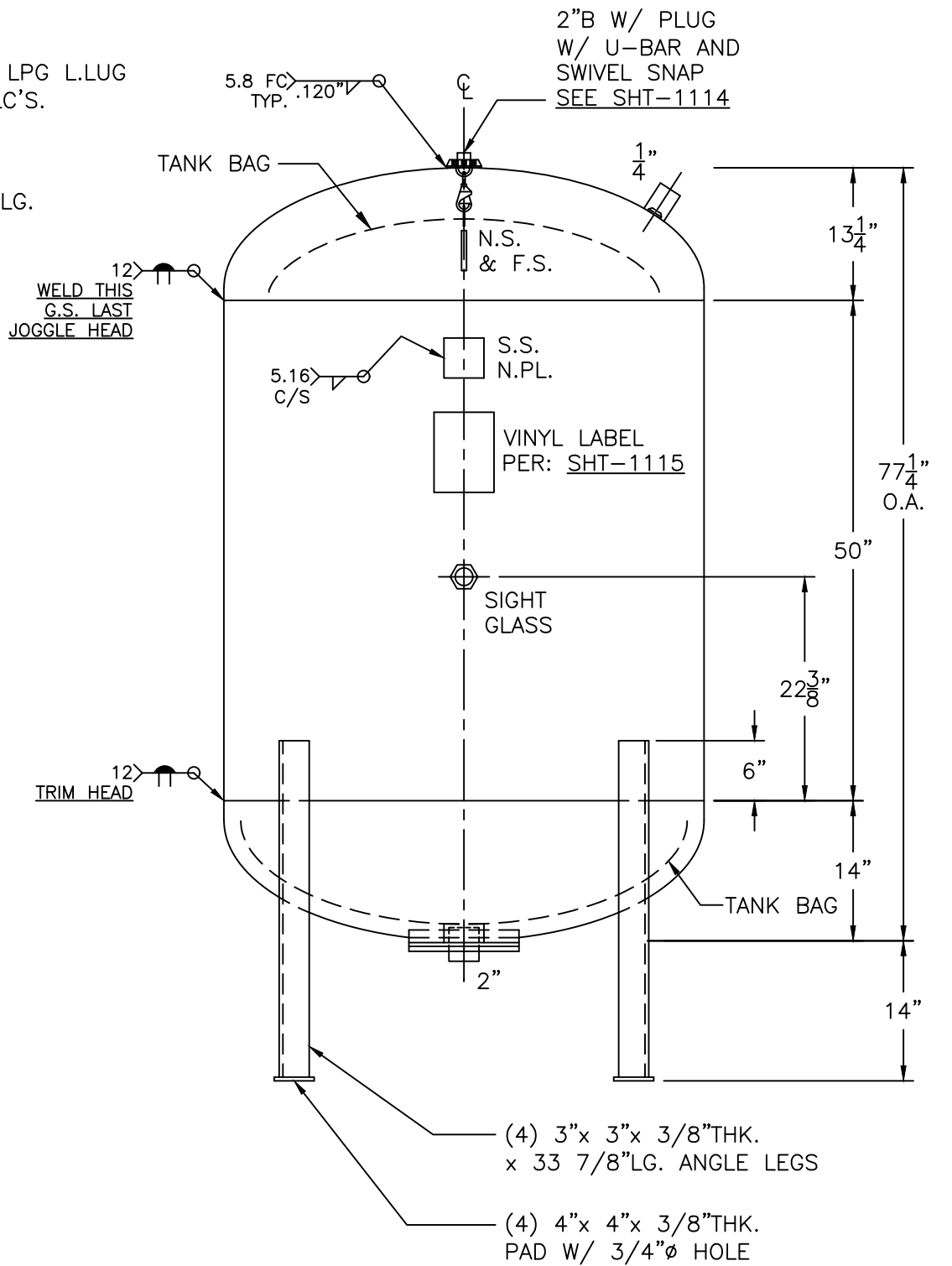


COVER ASSEMBLY DTL.



NOTE: 1) HYDRO @ 165 PSIG. MIN.		2) FOR NON CORROSIVE SERVICE-BLADDER TANK.	
SHELL / HEADS	TOP-.250" SA-455	2:1 S.E.	JOGGLE
	BTM-.250" SA-455	2:1 S.E.	TRIM
	.205" SA-455		
M.A.W.P.	125 PSIG.	@ 240 °F.	
M.D.M.T.	32 °F @	125 PSIG.	
ASME SECTION VIII	DIV. 1, 2015		
X-RAY:	RT-NO		
GALLONS:	528	WT. 1102 LBS.	
SERIAL NO.			
N.B.			
BB-528-L		REV. 11-7-16	DATE: 4-1-05
HANSON STANDARD		VERT. BLADDER TANK	
SURFACE AREA = 90.5 SQ. FT.		INSIDE: UNPAINTED	
OUTSIDE: PRIMER		LEG-ZONE 4-15 KM.	
BY: E.S.		SCALE: 3/4"=12"	
ROY E. HANSON JR. MFG.		LOS ANGELES, CA 90021	