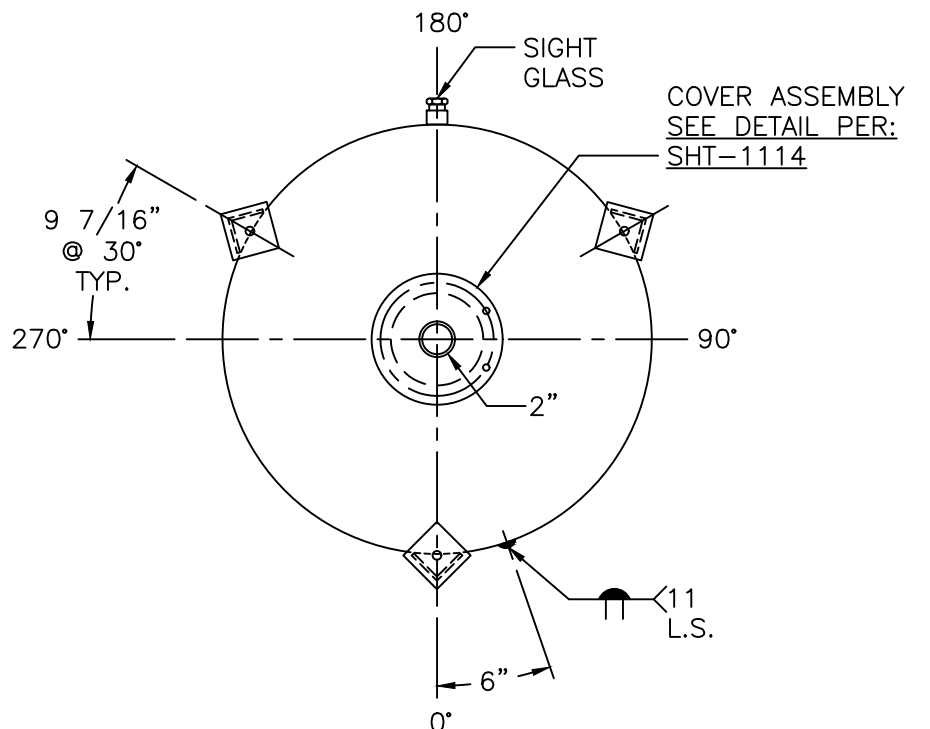
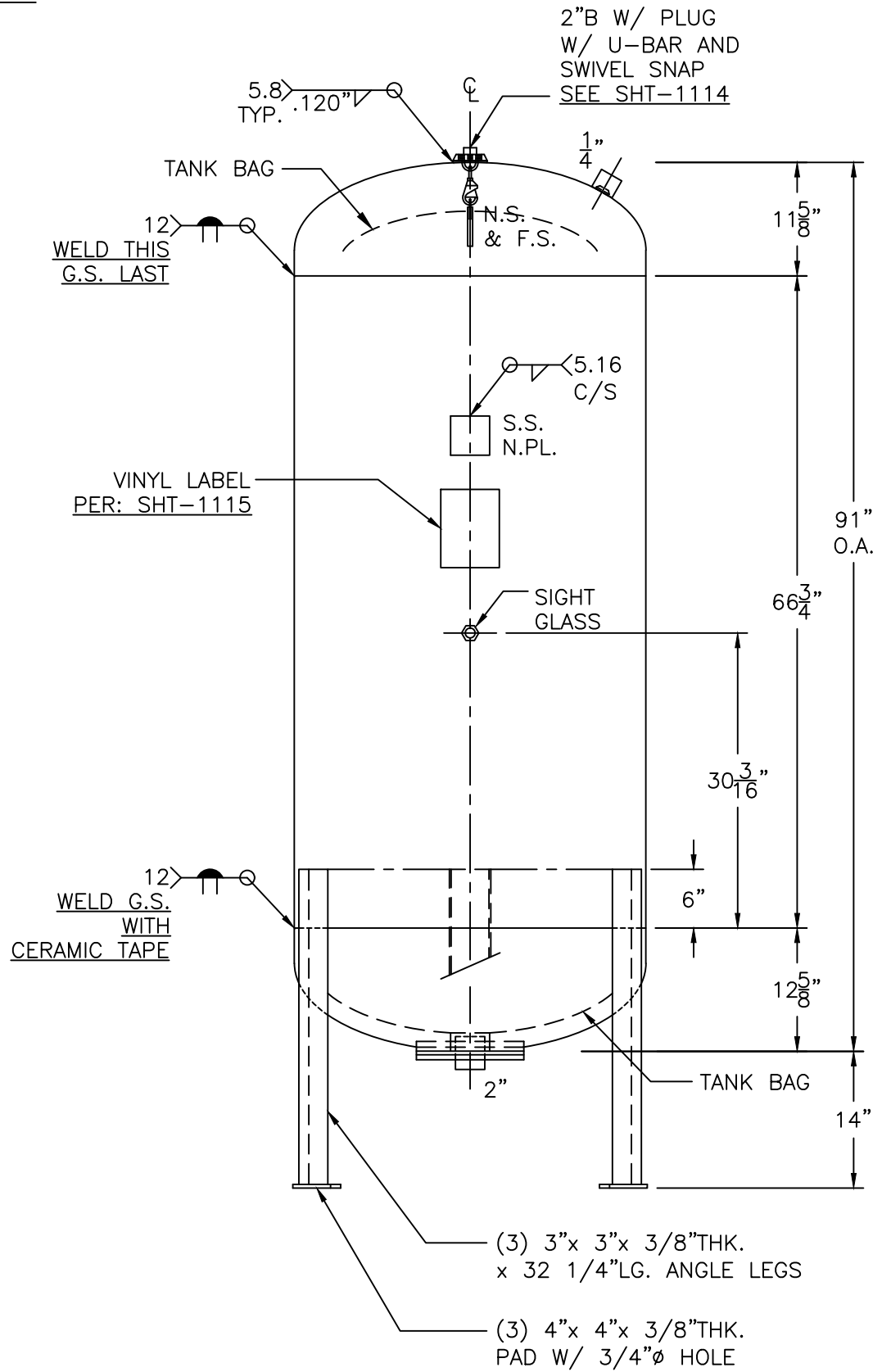


**COVER ASSEMBLY DTL.**



NOTE: 1) HYDRO @ 165 PSIG. MIN. 2) INSPECTION OPENING, UG 46(f)(6).

SHELL / HEADS	
TOP-.182" SA-455	2:1 S.E.
JOGGLE	
BTM-.182" SA-455	2:1 S.E.
TRIM	
.164" SA-414-G	
M.A.W.P.	125 PSIG. @ 240 °F
M.D.M.T.	32 °F @ 125 PSIG.
ASME SECTION	VIII DIV. 1, 2015
X-RAY:	RT-NO
GALLONS:	370 WT. 707 LBS.
SERIAL NO.	
N.B.	

BB-370-L	REV. 1-5-16
FOR: HANSON STANDARD	DATE: 4-1-05
VERT. BLADDER TANK	
SURFACE AREA = 76.9 SQ. FT.	
INSIDE: UNPAINTED	
OUTSIDE: PRIMER	
LEG-ZONE 4-15 KM.	
BY: E.S.	SCALE: 3/4"=12"
<b>ROY F. HANSON JR. MFG.</b>	
LOS ANGELES, CA 90021	