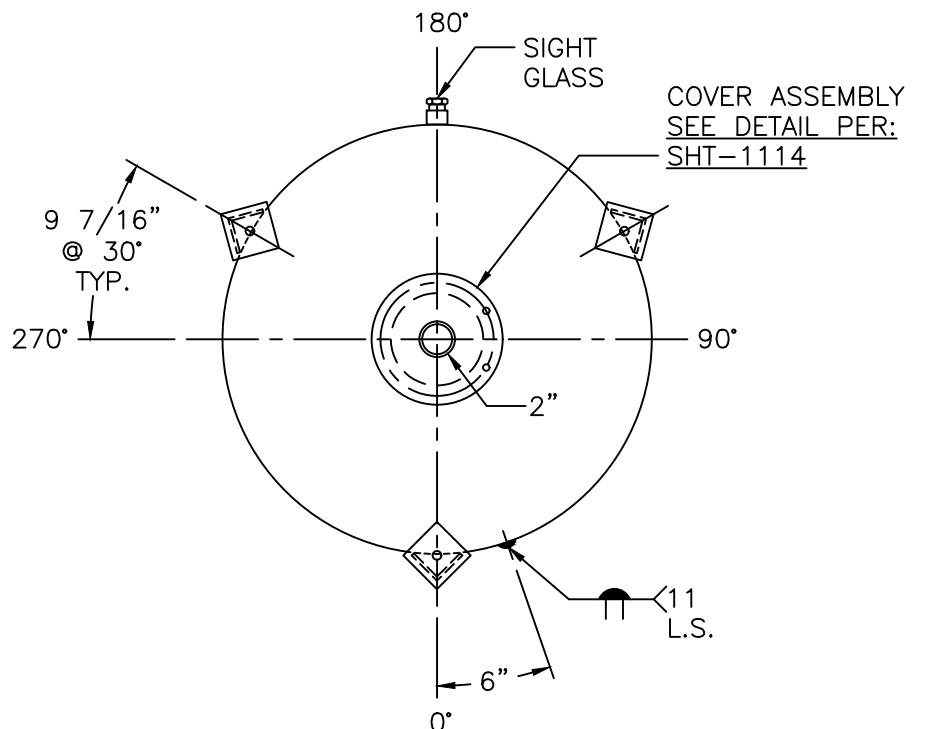
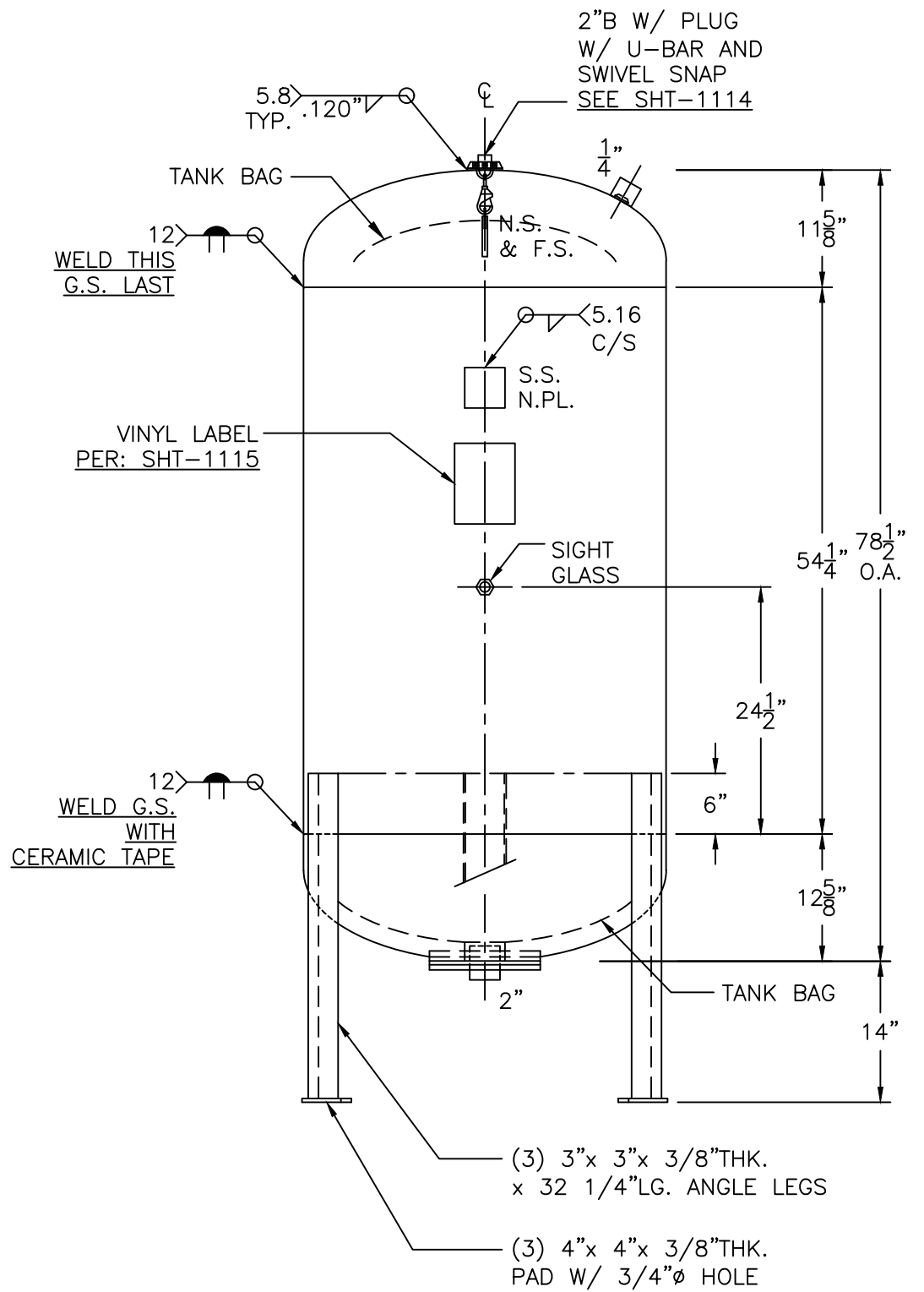


COVER ASSEMBLY DTL.



NOTE: 1) HYDRO @ 165 PSIG. MIN.		2) INSPECTION OPENING, UG 46(f)(6).	
SHELL / HEADS	TOP-.182" SA-455	2:1 S.E.	JOGGLE
	BTM-.182" SA-455	2:1 S.E.	TRIM
	.165" SA-414-G		
M.A.W.P.	125 PSIG.	@ 240 °F.	
M.D.M.T.	32 °F.	@ 125 PSIG.	
ASME SECTION	VIII	DIV. 1, 2015	
X-RAY:	RT-NO		
GALLONS:	317	WT. 636 LBS.	
SERIAL NO.			
N.B.			
BB-317-L		REV. 1-5-16	DATE: 4-1-05
FOR: HANSON STANDARD			
VERT. BLADDER TANK			
SURFACE AREA = 67.0 SQ. FT.			
INSIDE: UNPAINTED			
OUTSIDE: PRIMER			
LEG-ZONE 4-15 KM.			
BY: E.S.		SCALE: 3/4"=12"	
ROY F. HANSON JR. MFG.			
LOS ANGELES, CA 90021			