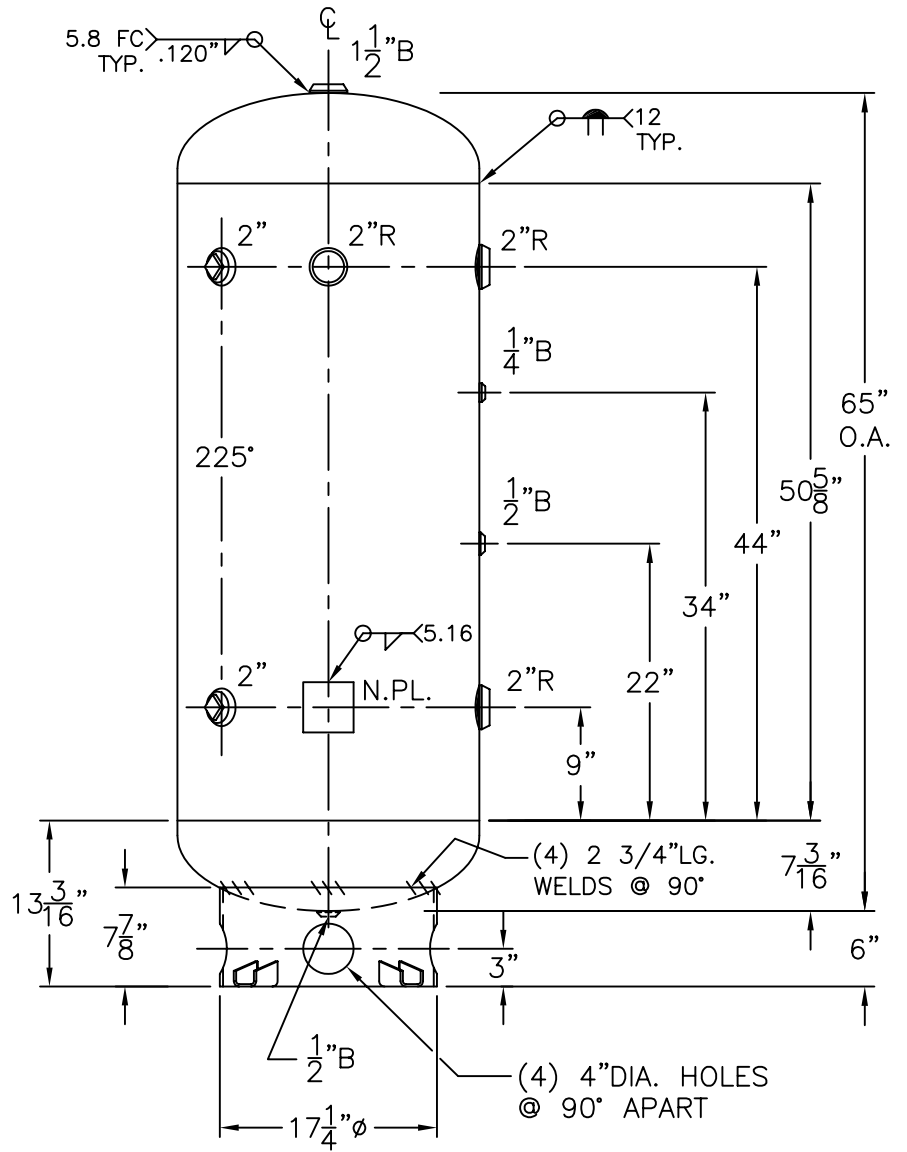
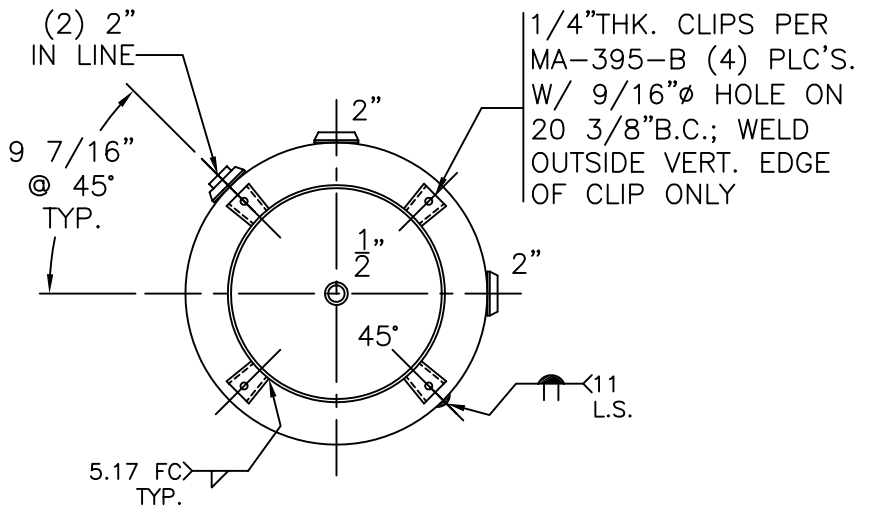


2"R W/ C.I. PLUG FOR INSPECTION OPENINGS (2) PLC'S.



NOTE: 1) HYDRO @ 390 PSIG. MIN.

SHELL / HEADS	
.200" SA-455	2.1: S.E.
JOGGLE	
.195" MIN. ON PATTERN	
.200" SA-455	
M.A.W.P.	300 PSIG. @ 400 °F
M.D.M.T.	-20 °F @ 300 PSIG.
ASME: SECTION VIII	DIV. 1, 2010 ADD 2010
X-RAY:	RT-4 SPOT L.S. ONLY
GALLONS:	120
SERIAL NO.	WT. 344 LBS.
N.B.	



1/4" THK. CLIPS PER MA-395-B (4) PLC'S. W/ 9/16" Ø HOLE ON 20 3/8" B.C.; WELD OUTSIDE VERT. EDGE OF CLIP ONLY

24-VD-120-R	REV. 3-22-11
FOR: HANSON STANDARD	DATE: 1-27-89
VERT. AIR TANK	
INSIDE: UNPAINTED	
OUTSIDE: PRIME	
BY: E.S.	SCALE: 3/4" = 12"
ROY F. HANSON JR. MFG.	
1600 E. WASHINGTON BLVD.	
LOS ANGELES, CA 90021	