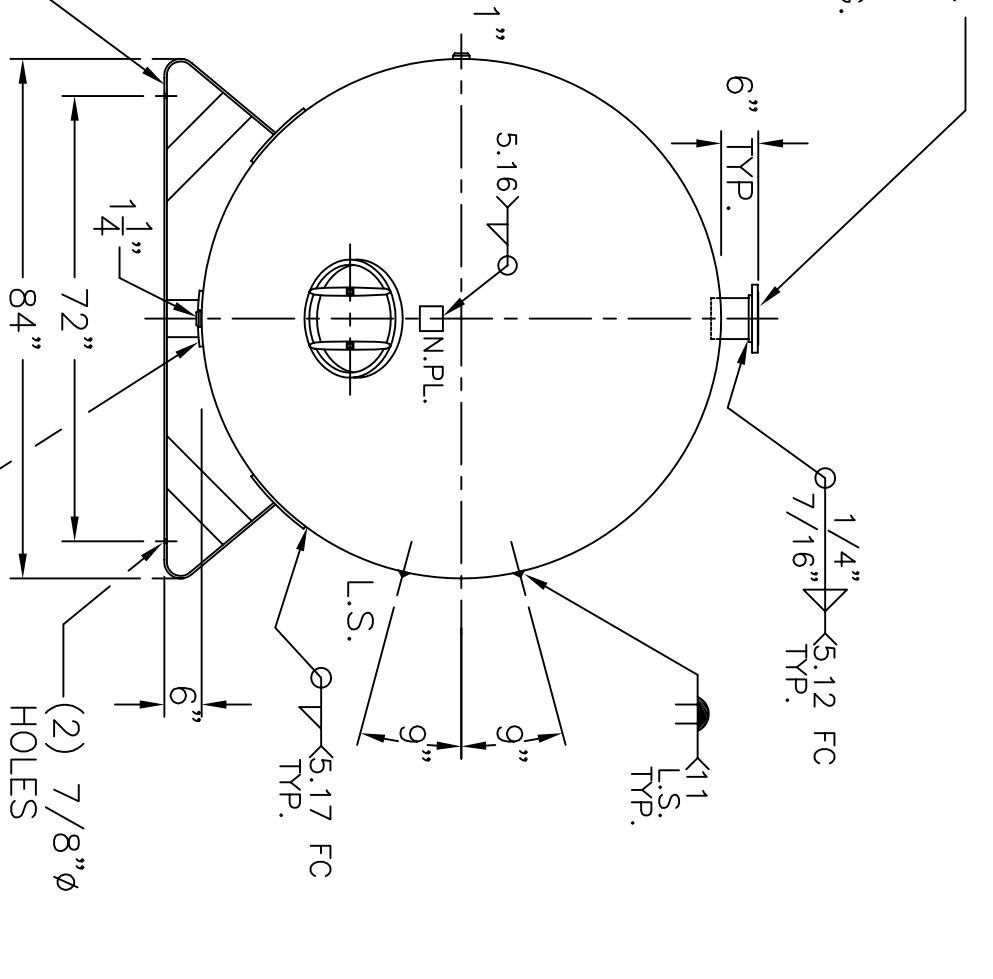


6"-150# R.F.S.O.
 FLG. W/SCH 80
 SA-106-B
 PIPE x 7 5/8"LG.
 (2) PLC'S

SUPPORT PER:
 84-HP-5000-W-1C



NOTE: 1) HYDRO @ 195 PSIG. MIN.

SHELL / HEADS		84-HP-5000-W	
LEFT - (.300" MIN.)	.375" SA-455	REV. 8-24-11	DATE: 7-16-01
RIGHT - (.375" MIN.)	SA-455 2:1 S.E.	FOR: HANSON STANDARD	
	(.333" MIN.)	HORIZ. AIR TANK.	
	.3125" SA-455	UW-21(b)	
M.A.W.P. 150 PSIG. @ 400 °F		INSIDE: UNPAINTED	
M.D.M.T. -20 °F 150 PSIG		OUTSIDE: PRIME	
ASME SECTION VIII DIV. 1, 2010 ADD 2010		CAD-"B" SIZE UNDER "STD"-SERIES	
X-RAY: RT-2 100% L.S. & SPOT ALL G.S.		BY: J.G. SCALE: 3/8"=12"	
GALLONS: 5000 WT. 7451 LBS.		ROY E. HANSON JR. MFG.	
SERIAL NO.		1600 E. WASHINGTON BLVD.	
N.B.		LOS ANGELES, CA 90021	

VIEW W/OUT SUPT'S

